

# Technical data sheet

## Junction box T 350, plug-in seal

Item number: 2007125



Junction box for the connection of cables and lines indoors and in protected outdoor areas. Rectangular design with plug-in seals to the sides and knock-out entries in the bottom. Suitable for wall and ceiling mounting and on mounting panels. With the option to fasten inside and to mount via the corner domes. Cover with quick lock, sealable. Made from halogen-free and UV-resistant materials.

Junction box according to DIN EN 60670. Flame-resistant to DIN EN 60695/2/11, test temperature 650 °C. Impact resistance IK05 according to DIN EN 50102.



**PP/GF** Polypropylene, fibreglass reinforced

### Master data

|                                   |                                      |
|-----------------------------------|--------------------------------------|
| Item number                       | 2007125                              |
| Description 1                     | Junction box                         |
| Description 2                     | with entries                         |
| Manufacturer                      | OBO                                  |
| Dimension                         | 285x201x120                          |
| Colour                            | Light grey; RAL 7035                 |
| Material                          | Polypropylene, fibreglass reinforced |
| Smallest sales unit               | 1                                    |
| Unit of quantity                  | Piece                                |
| Weight                            | 63 kg                                |
| Weight unit                       | kg/100 pc.                           |
| CO Footprint (GWP) Cradle-to-Gate | 2,7244 kg COe / 1 Piece              |

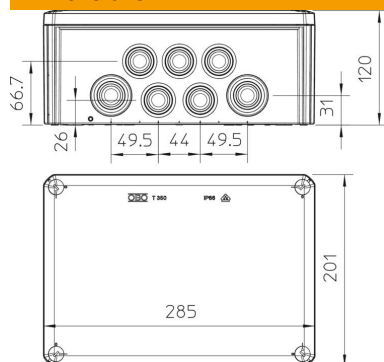
# Technical data sheet

## Junction box T 350, plug-in seal



Item number: 2007125

### Dimensions



|        |        |
|--------|--------|
| Length | 285 mm |
| Width  | 201 mm |
| Height | 120 mm |

### Technical data

|                                   |   |
|-----------------------------------|---|
| Expandable                        | yes   |
| No. of entries                    | 24  |
| Type of insertion...              | Plug-in seal  |
| Type of entry                     | Cable   |
| Type of housing penetration       | Cuttable stepped membrane                                 |
| Measured insulation voltage $V_i$ | 500 V   |
| Equipment                         | Without   |
| Cover                             | Not transparent   |
| Cover fastening                   | Screwed   |
| Entry from rear                   | yes   |
| Entries                           | 16 x M328 x M40   |
| Explosion-tested version          | no  |
| Flame-resistant                   | acc. to VDE 0471/DIN 695 Part 2-1, test temperature 650°C |
| Shape                             | Rectangular   |
| Maintain electrical functions     | Without   |
| For Ex zone                       | Without   |
| For Ex zone gas                   | Without   |
| For Ex zone dust                  | Without   |
| Fibre-glass reinforced            | yes   |
| Halogen-free                      | yes   |
| Clear internal dimensions         | 267x182x110 mm  |
| With screening                    | no  |
| with lid                          | yes   |
| Mounting type                     | Wall/ceiling mounting                                     |
| Nominal cross-section, min.       | 35 mm <sup>2</sup>  |
| Nominal voltage                   | 500 V   |
| Sealable                          | yes   |
| Protection rating                 | IP66  |
| Protection rating IK code         | IK05  |
| Permitted temperature range, max. | 60 °C   |
| Permitted temperature range, min. | -5 °C   |
| Weatherproof                      | no  |