

# Technical data sheet

## Cover for 90° Magic bend A4

Item number: 7138596



Cover for 90° bend with pre-mounted turn buckles.  
The cover can be used with fittings of all side heights.



**A4** Stainless steel

**2B** Bright, treated

### Master data

Item number	7138596
Type	DFBM 90 300 A4
Description 1	90° bend cover
Description 2	for bend RBM 90 300
Manufacturer	OBO
Dimension	B=300mm
Material	Stainless steel
Surface	Bright, treated
Surface standard	
Smallest sales unit	1
Unit of quantity	Piece
Weight	83 kg
Weight unit	kg/100 pc.

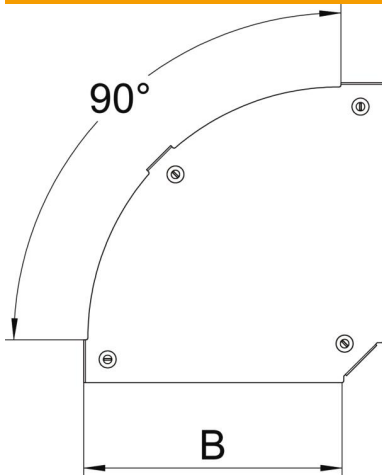
# Technical data sheet

## Cover for 90° Magic bend A4

Item number: 7138596



### Dimensions



Width	300 mm
Plate thickness	1.25 mm
Dimension B	300 mm

### Technical data

Bend (angle)	90°
Fastening type	Sash lock
Maintain electrical functions	no
Suitable for mesh cable tray	no
Suitable for cable ladder	yes
Suitable for cable tray	yes
Change of direction	Horizontal
Rustproof steel, pickled	no
Hinged	no