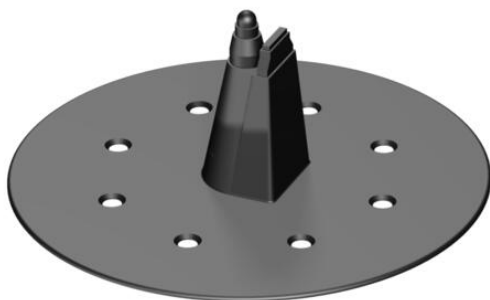


Technical data sheet

Roof penetration

Item number: 5201101



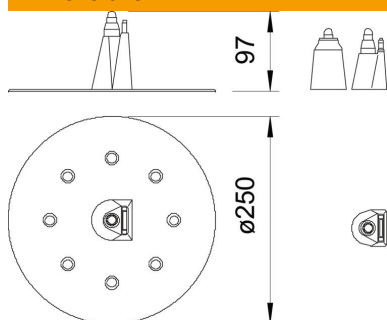
- For round conductors 8–10, air-termination rods 16 mm
- Flat conductors 20 mm/30 mm
- Colour: Black, UV-resistant
- For penetration and sealing of roofs

PA Polyamide

Master data

Item number	5201101
Description 1	Roof penetration
Description 2	for round and flat conductors
Manufacturer	OBO
Dimension	250x250x100
Colour	Black
Material	Polyamide
Smallest sales unit	5
Unit of quantity	Piece
Weight	14.4 kg
Weight unit	kg/100 pc.

Dimensions



Length	250 mm
Width	250 mm
Height	97 mm

Technical data sheet

Roof penetration

Item number: 5201101



Technical data

Type of accessory	Roof, wall and earther penetration
Fit	Rd 8-16/ FL20 u. FL30 mm