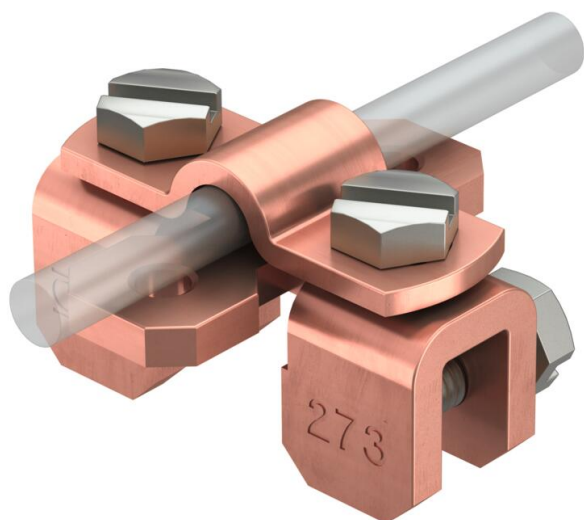


Technical data sheet

Folding clamp up to 10 mm plate thickness Cu

Item number: 5317274



- Plate thickness to 10 mm
- Conductor routing transverse and longitudinal to plate with 2 hexagonal bolts M8 x 10 and 2 hexagonal bolts M8 x 16 (F)
- 273 Cu: with hexagonal bolts, stainless steel (VA)



Cu Copper

Master data

Item number	5317274
Description 1	Folding clamp
Manufacturer	OBO
Dimension	8/10mm
Material	Copper
Smallest sales unit	10
Unit of quantity	Piece
Weight	18.5 kg
Weight unit	kg/100 pc.

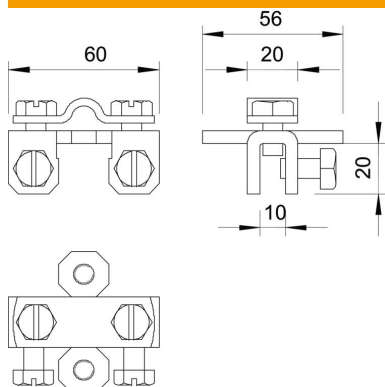
Technical data sheet

Folding clamp up to 10 mm plate thickness Cu

Item number: 5317274



Dimensions



Technical data

Type of fastening screw	Hexagonal bolt
Type of connector	Folding clamp
Lightning current carrying capacity	N/50 kA
Fit	Rd 8-10 mm
Clamping range, max.	10 mm