

# Technical data sheet

## Gutter clamp for all bead thicknesses A2

Item number: 5316324



- Fits all bead thicknesses
- With 1 hexagonal bolt M8 x 30
- 2 hexagonal bolts M6 x 12
- VA version also for use as bimetal conductor (holder)

**A2** Stainless steel

### Master data

Item number	5316324
Description 1	Gutter clamp
Manufacturer	OBO
Dimension	8mm
Material	Stainless steel
Smallest sales unit	10
Unit of quantity	Piece
Weight	11.36 kg
Weight unit	kg/100 pc.

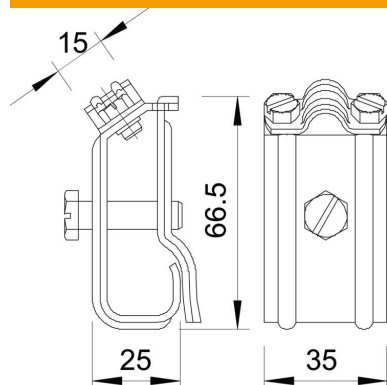
# Technical data sheet

## Gutter clamp for all bead thicknesses A2

Item number: 5316324



### Dimensions



### Technical data

Type of fastening screw	Hexagonal bolt
Type of connector	Roof gutter clamp
Fit	Rd 8-10 mm