

Technical data sheet

Gutter clamp for all bead thicknesses FT

Item number: 5316308



- Fits all bead thicknesses
- With 1 hexagonal bolt M8 x 30
- 2 hexagonal bolts M6 x 12

St Steel

FT Hot-dip galvanised

Master data

Item number	5316308
Description 1	Gutter clamp
Manufacturer	OBO
Dimension	8mm
Material	Steel
Surface	Hot-dip galvanised
Surface standard	DIN EN ISO 1461
Smallest sales unit	25
Unit of quantity	Piece
Weight	13.95 kg
Weight unit	kg/100 pc.

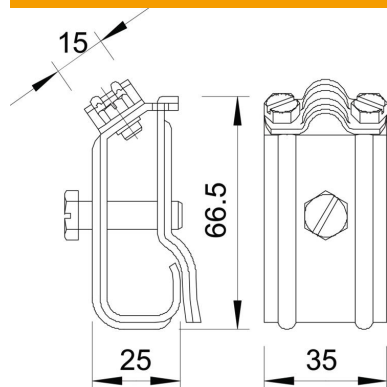
Technical data sheet

Gutter clamp for all bead thicknesses FT

Item number: 5316308



Dimensions



Technical data

Type of fastening screw	Hexagonal bolt
Type of connector	Roof gutter clamp
Fit	Rd 8-10 mm