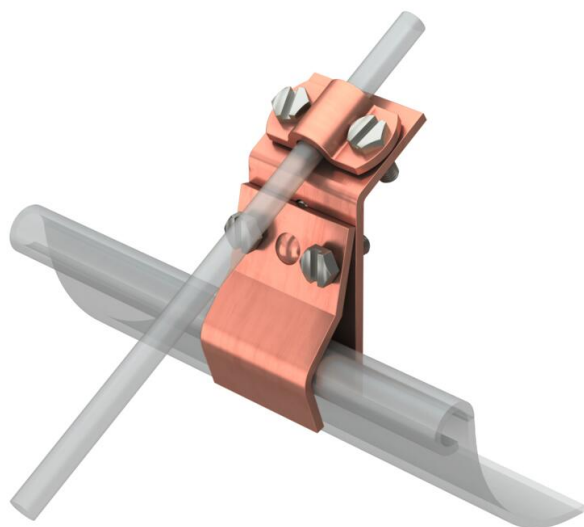


Technical data sheet

Roof gutter clamp for all bead thicknesses Cu

Item number: 5316154



- With 4 hexagonal bolts M6 x 16
- Fits all bead thicknesses

Cu Copper

Master data

Item number	5316154
Description 1	Gutter clamp
Manufacturer	OBO
Dimension	8mm
Material	Copper
Smallest sales unit	10
Unit of quantity	Piece
Weight	20.94 kg
Weight unit	kg/100 pc.

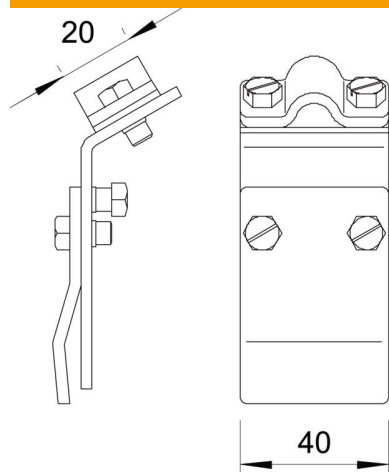
Technical data sheet

Roof gutter clamp for all bead thicknesses Cu

Item number: 5316154



Dimensions



Technical data

Type of fastening screw	Hexagonal bolt
Type of connector	Roof gutter clamp
Fit	Rd 8-10 mm