

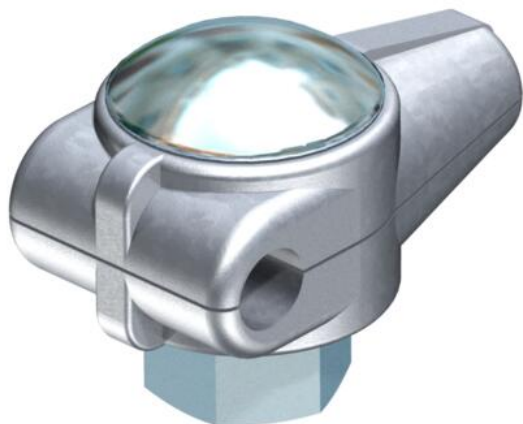
# Technical data sheet

T connector Rd 8 mm

Item number: 5311039



- With truss-head bolt M10 x 30 and hexagonal nut M10
- Complies with the requirements of VDE 0185-305-3 (IEC/ EN 62305-3)



**Zn** Die-cast zinc

**G** Electrogalvanized

## Master data

Item number	5311039
Description 1	T-connector
Manufacturer	OBO
Dimension	8mm
Material	Die-cast zinc
Surface	Electrogalvanized
Surface standard	EN ISO 19598 / EN ISO 4042
Smallest sales unit	10
Unit of quantity	Piece
Weight	11.58 kg
Weight unit	kg/100 pc.

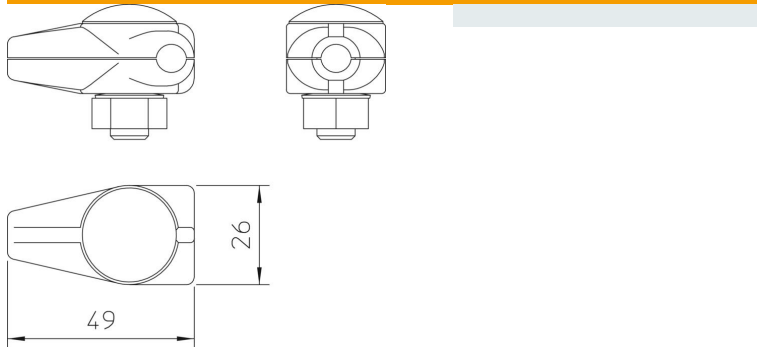
# Technical data sheet

T connector Rd 8 mm

Item number: 5311039



## Dimensions



## Technical data

Type of fastening screw	Gutter bolt
Type of connector	T connector
Lightning current carrying capacity	N/50 kA
Suitable for connection	Round conductor Rd 8 / Rd 8
Fit	Rd 8 mm
Intermediate plate	no