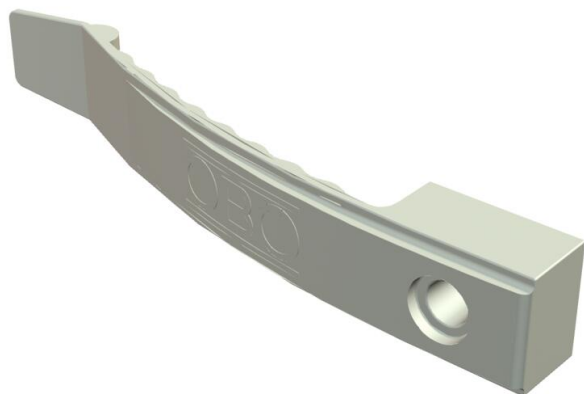


Technical data sheet

Pressure clip for 8 cables, flame resistant

Item number: 2204908



Flame-resistant version, specially for use in suspended ceilings.

Thermoplast. Polyester, stone grey RAL 7030, flame-resistant to VDE 0471/DIN IEC 695 Part 2-1, Test temperature 960 °C, respectively V-O to UL 94, halogen-free.

Clamping height: 9 mm, with spacer 13 mm.

Fastening hole: 6 mm Ø.
2032/F for max. 8 conductors NYM 3 x 1.5 mm²

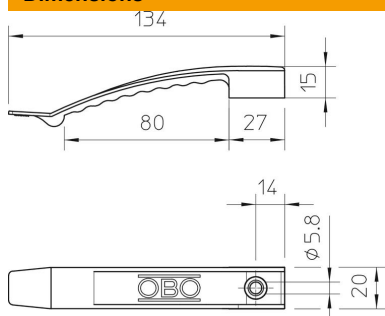


PBPT Polybutylene terephthalate

Master data

Item number	2204908
Description 1	Pressure clip
Manufacturer	OBO
Dimension	1x8 NYM3x1,5
Colour	Stone grey; RAL 7030
Material	Polybutylene terephthalate
Smallest sales unit	50
Unit of quantity	Piece
Weight	1.412 kg
Weight unit	kg/100 pc.
CO Footprint (GWP) Cradle-to-Gate	0,0089 kg COe / 1 Piece

Dimensions



Technical data sheet

Pressure clip for 8 cables, flame resistant

Item number: 2204908



Technical data

No. of conductors NYM 3 x 1.5	8
Flame-resistant version	no
Flame-resistant	Acc. to VDE 0471/DIN 695 Part 2-1, test temperature 750°C
Maintain electrical functions	no
Halogen-free	yes
With anchor	no