

# Technical data sheet

165 MBG... roof cable holder for flat roofs, black, without concrete

Item number: 5218616



- Closed form with base
- With double conductor holder
- Without concrete
- Sleeve made of polyethylene, black, UV- and weather-resistant
- Base made of polyamide PA 6, black, UV- and weather-resistant
- Base can be used on almost all roofing felt systems (bitumen, PVC)
- Types 165 MBG...FO: Packed in foil bag

**PE** Polyethylene

## Master data

Item number	5218616
Description 1	Roof conductor holder
Description 2	without concrete filling
Manufacturer	OBO
Dimension	8mm
Colour	Black
Material	Polyethylene
Smallest sales unit	100
Unit of quantity	Piece
Weight	7.679 kg
Weight unit	kg/100 pc.

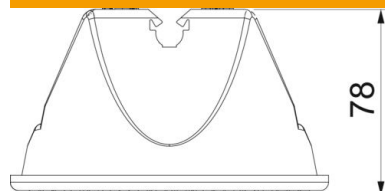
# Technical data sheet

165 MBG... roof cable holder for flat roofs, black, without concrete

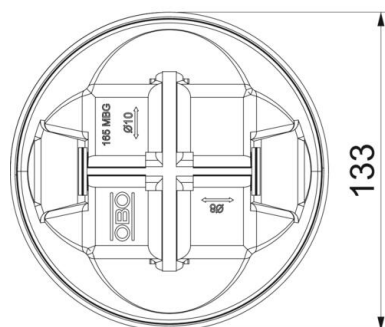
Item number: 5218616



## Dimensions



Length 133.5 mm



## Technical data

Application	Flat roof
Conductor fastening type	With clip
Conductor diameter, max.	10
Conductor diameter, min.	8
Mounting type	Miscellaneous
Fit	Rd 8-10 mm
Material of the holder	Plastic
Material of the support	Plastic