

Technical data sheet

Roof conductor holder for tiled, slated and corrugated roofs, with crossbar

Item number: 5202248



- With weatherproof clamping collar from soft PVC
- Required drill hole $\varnothing = 16 \text{ mm}$
- Spacer from polyamide, grey

PA Polyamide

Master data

Item number	5202248
Description 1	Roof conductor holder
Description 2	with over-piece
Manufacturer	OBO
Dimension	50mm
Material	Polyamide
Smallest sales unit	20
Unit of quantity	Piece
Weight	8.217 kg
Weight unit	kg/100 pc.

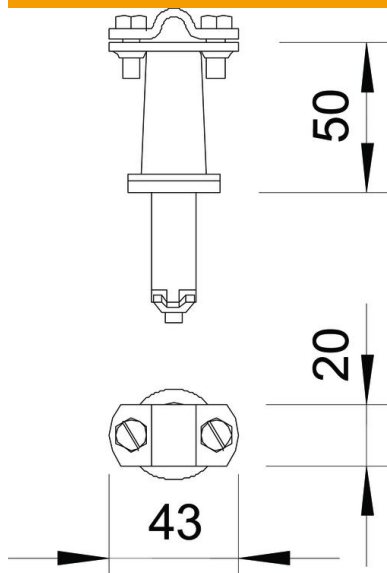
Technical data sheet

Roof conductor holder for tiled, slated and corrugated roofs, with crossbar

Item number: 5202248



Dimensions



Technical data

Application	Corrugated roof
Conductor fastening type	With screw clip
Conductor diameter, max.	10
Conductor diameter, min.	8
Mounting type	Miscellaneous
Mounting height	50 mm
Fit	Rd 8-10 mm
Material of the holder	Plastic
Material of the support	Plastic