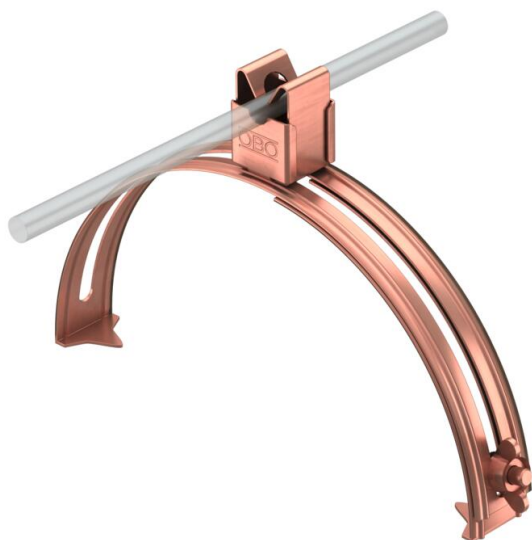


# Technical data sheet

Roof conductor holder for ridge tiles, 185–260 mm, Rd 8 CU

Item number: 5202868



- Adjustable width from 185-260 mm
- Fast installation using wing screw

**Cu** Copper

## Master data

Item number	5202868
Description 1	Roof conductor holder
Description 2	for ridge tiles
Manufacturer	OBO
Dimension	8mm
Material	Copper
Smallest sales unit	10
Unit of quantity	Piece
Weight	13.4 kg
Weight unit	kg/100 pc.

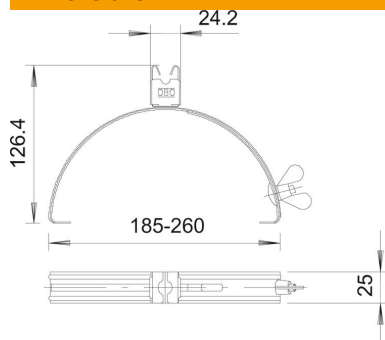
# Technical data sheet

Roof conductor holder for ridge tiles, 185–260 mm, Rd 8 CU

Item number: 5202868



## Dimensions



## Technical data

Application	Ridge
Conductor fastening type	With clip
Conductor diameter, max.	8
Conductor diameter, min.	8
Mounting type	Tensionable
Mounting height	20 mm
Fit	Rd 8 mm
Clamping range D, max.	260 mm
Clamping range D, min.	185 mm
Material of the holder	Copper
Material of the support	Copper